

## IP 20

### Order Code Highlights:

(See attached order code matrix for all options. A complete order code consists of 20 digits.)

MODEL NUMBER (AAAA)  
2200

MOUNTING (BB)  
Standard Brackets (00)

LAMP TYPE (CC)  
T5 (02)  
LED (10)

EXTRUSION COLOR (G)  
Clear Anodized (1)  
White (2)  
Custom (3)

SHIELDING (H)  
Acrylic Lens Linear Spread (1)  
Acrylic Lens Frosted (2)

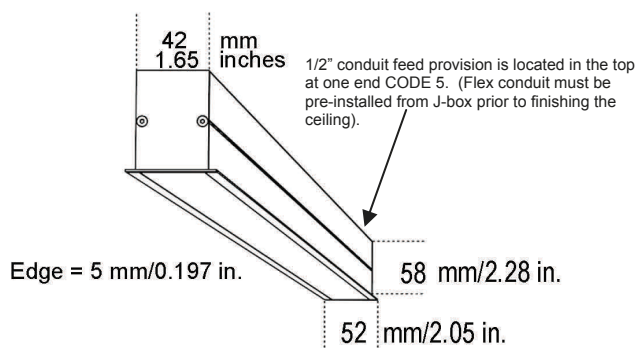
POWERFEED (J)  
Conduit Configuration B - Top of Luminaire (5)  
(Flex Conduit Must Be Pre-installed from J-Box)

BALLAST/DRIVER (K)  
Non-dimming (1)  
Dimming 0-10 Volt Analog (8)

EMERGENCY (L)  
Non-emergency (1)  
Emergency 120 Volt (2) or 277 Volt (3)  
(Emergency not available for the 14 or 24 Watt models)



[www.smedmarksinc.com](http://www.smedmarksinc.com)



See next page for more dimensional information.

| Order Code<br>AAAA BB CC DD EE/EE F G H I J K L M | Length            | Lamp                    |
|---|-------------------|-------------------------|
| 2200 xx 02 01 06/09 x x x x x x 1 x               | 610mm/24.02 in.   | T5/T5HO 14/24 Watts     |
| 2200 xx 02 01 08/13 x x x x x x x x               | 910mm/35.83 in.   | T5/T5HO 21/39 Watts     |
| 2200 xx 02 01 10/16 x x x x x x x x               | 1210mm/47.64 in.  | T5/T5HO 28/54 Watts     |
| 2200 xx 02 01 13 x x x x x x x x                  | 1510mm/59.45 in.  | T5 35 Watts             |
| 2200 xx 02 02 08/13 x x x x x x x x               | 1810mm/71.26 in.  | T5/T5HO 2 x 21/39 Watts |
| 2200 xx 02 02 10/16 x x x x x x x x               | 2410mm/94.88 in.  | T5/T5HO 2 x 28/54 Watts |
| 2200 xx 02 02 13 x x x x x x x x                  | 3010mm/118.50 in. | T5 2 x 35 Watts         |

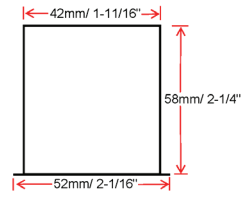
Other lengths available by request.  
Length includes end caps.

LED extrusion length starts at nominal 200mm/8 inches and increases in combinations of nominal 100mm/4 in. and 255mm/10 in. increments. Each 4 in. increment is 1.8 Watts (1/2 power) and 3.6 Watts (full power); each 10 in. increment is 4.2 Watts (1/2 power) and 8.4 Watts (full power). Driver is internal. **LED Engine: Osram Sylvania HF2 Narrow Stick.**

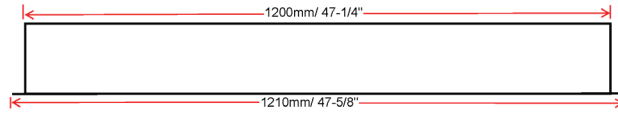
# 2200 Windsor Minisize T5/LED



End View

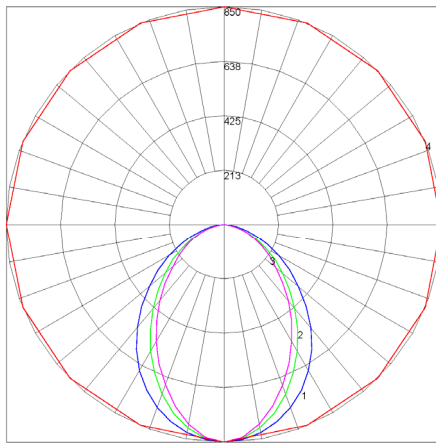


Side View



14/24 Watt Lengths: 600mm/610mm; 23-11/16"/24-1/16"  
 21/39 Watt Lengths: 900mm/910mm; 35-7/16"/36-13/16"

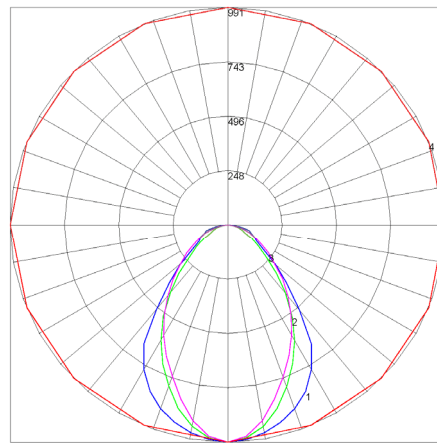
POLAR GRAPH



Maximum Candela = 850 Located At Horizontal Angle = 0, Vertical Angle = 0  
 # 1 - Vertical Plane Through Horizontal Angles (0 - 180) (Through Max. Cd.) : BLUE  
 # 2 - Vertical Plane Through Horizontal Angles (45 - 225) : GREEN  
 # 3 - Vertical Plane Through Horizontal Angles (90 - 270) : MAGENTA  
 # 4 - Horizontal Cone Through Vertical Angle (0) (Through Max. Cd.) : RED

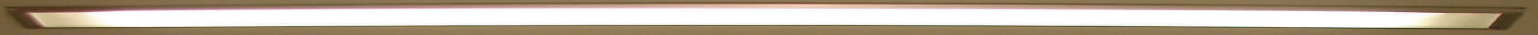
Acrylic Lens Frosted with 1x28 W T5 Lamp

POLAR GRAPH



Maximum Candela = 991 Located At Horizontal Angle = 0, Vertical Angle = 0  
 # 1 - Vertical Plane Through Horizontal Angles (0 - 180) (Through Max. Cd.) : BLUE  
 # 2 - Vertical Plane Through Horizontal Angles (45 - 225) : GREEN  
 # 3 - Vertical Plane Through Horizontal Angles (90 - 270) : MAGENTA  
 # 4 - Horizontal Cone Through Vertical Angle (0) (Through Max. Cd.) : RED

Acrylic Lens Linear Spread with 1x28 W T5 Lamp



**EFFICIENT    VERSATILE    ADAPTABLE    CUSTOMIZABLE**

## ORDER/SPECIFICATION CODE MATRIX

**Complete Code = AAAABBCCDDEEFGHIJKLM (20 Digits)**

| AAAA         | BB          | CC        | DD                           | EE  | F   | G                                       | H  | I  | J   | K   | L   | M  |
|--------------|-------------|-----------|------------------------------|---|---|---|--|--|---|---|---|--|
| PRODUCT CODE | MOUNTING    | LAMP TYPE | LAMP QTY                     | LAMP WATTS  | LAMP COLOR  | EXTRUSION COLOR                         | SHIELDING  | ENDCAP   | POWER FEED  | BALLAST TYPE  | EMERGENCY   | OTHER  |
| 2200         | 00=Standard | 02=T5     | 01=1<br>02=2<br>03=3<br>etc. | 06=14<br>08=21<br>09=24<br>10=28<br>11=35<br>13=39<br>16=54 | 2=830<br>3=835<br>4=841<br>5=850<br>6=865<br>7=Red<br>8=Green<br>9=Blue | 1=Clear Anodized<br>2=White<br>3=Custom | 1=Acrylic Lens<br>Linear Spread<br>2=Acrylic Lens<br>Frosted | 1=Custom<br>7=Gray Aluminum<br>8= White Aluminum | 5=Conduit - Top<br><b>See Separate Page For Illustrations</b> | 1=Non-dimming Univ Volts<br>2=Dimming ECO 120V<br>3=Dimming Hi-Lume 120V<br>4=Dimming ECO 277V<br>5=Dimming Hi-Lume 277V<br>6=Dimming Stepped Univ<br>7=Dimming DALI Univ<br>8=Dimming 0-10V Univ<br>9=Dimming Powerline Univ | 1=Non-Emergency<br>2=Standard 120V<br>3=Standard 277V<br>4=Self-Diag 120V<br>5=Self-Diag 277V | 0=Standard<br>1=Ecosystem Type 1<br>2=Ecosystem Type 2<br>3=Ecosystem Type 3<br><b>See Separate Page For Illustrations</b> |

2 2 0 0 0 0 0 2               5      

A A A A B B C C D D E E F G H I J K L M



## ORDER/SPECIFICATION CODE MATRIX

Complete Code = AAAABBCCDEEEFGHIJKLM (20 Digits)

| AAAA         | BB          | CC        | D                | EEE  | F                                | G                                       | H  | I  | J                                   | K                                 | L               | M          |
|--------------|-------------|-----------|------------------|--|----------------------------------|---|--|--|-------------------------------------|-----------------------------------|-----------------|------------|
| PRODUCT CODE | MOUNTING    | LAMP TYPE | LED ENGINE       | NOMINAL LUMINAIRE LENGTH INCHES  | LAMP COLOR                       | EXTRUSION COLOR                         | SHIELDING  | ENDCAP   | POWER FEED                          | DIMMING                           | EMERGENCY       | OTHER      |
| 2200         | 00=Standard | 10=LED    | 1=HF2<br>1/2 Pwr | 008=8 inches<br>012=12 inches<br>014=14 inches<br>016=16 inches<br>018=18 inches<br>020=20 inches<br>022=22 inches<br>etc. | 1=827<br>2=830<br>3=835<br>4=841 | 1=Clear Anodized<br>2=White<br>3=Custom | 1=Acrylic Lens<br>Linear Spread<br>2=Acrylic Lens<br>Frosted | 1=Custom<br>7=Gray Aluminum<br>8= White Aluminum | 5=Conduit - Top                     | 1=Non-Dimming<br>8=Dim 0-10V Univ | 1=Non-Emergency | 0=Standard |
|              |             |           |                  | Combinations of 4 and 10 in. Plus 4 Inches   |                                  |   |  |  | See Separate Page For Illustrations |                                   |                 |            |

2 2 0 0 0 0 1 0             1   5   1 0  
A A A A B B C C D E E E F G H I J K L M



Smedmarks Inc.  
190 Muttart Rd.  
Neenah, WI 54956-9710 USA  
(920) 751-0323  
www.smedmarksinc.com