



IP 20

Order Code Highlights:

(See attached order code matrix for all options. A complete order code consists of 20 digits.)

MODEL NUMBER (AAAA)
2010

MOUNTING (BB)
Wall Bracket 30mm/1.18 in. (86)
Wall Bracket 200mm/8 in. (87)
Partition Wall Bracket (89)

LAMP TYPE (CC)
T5 (02)
LED (10)

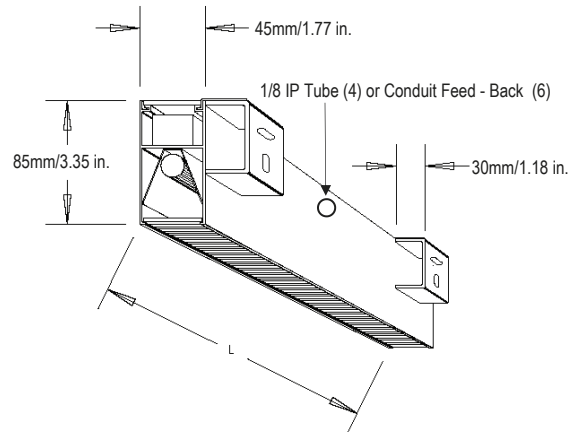
EXTRUSION COLOR (G)
Clear Anodized (1)
White (2)
Custom (3)

SHIELDING (H)
Linear Spread Acrylic Lens (1)
Metal Louver (3)

POWERFEED (J)
1/8 IP Tube (4)
Conduit Feed - Back (6)

BALLAST/DRIVER (K)
Non-dimming (1)
Dimming 0-10 Volt Analog (8)

EMERGENCY (L)
Non-emergency (1)
Emergency 120 Volt (2)
Emergency 277 Volt (3)
(Emergency not available for the 14 or 24 Watt models)



Order Code AAAA BB CC DD EE or EE F G H I J K L M	Length (L)	Lamp
2010 xx 02 01 06 or 09 x x x x x x 1 x	605mm/23.82 in.	T5/T5HO 14 or 24 Watts
2010 xx 02 01 08 or 13 x x x x x x x x	905mm/35.63 in.	T5/T5HO 21 or 39 Watts
2010 xx 02 01 10 or 16 x x x x x x x x	1205mm/47.44 in.	T5/T5HO 28 or 54 Watts
2010 xx 02 01 11 x x x x x x x x	1505mm/59.25 in.	T5 35 Watts
2010 xx 02 02 08 or 13 x x x x x x x x	1805mm/71.06 in.	T5/T5HO 2 x 21 or 39 Watts
2010 xx 02 02 10 or 16 x x x x x x x x	2405mm/94.69 in.	T5/T5HO 2 x 28 or 54 Watts
2010 xx 02 02 11 x x x x x x x x	3005mm/118.31 in.	T5 2 x 35 Watts

Other lengths available by request.
Length includes end caps.

LED extrusion length starts at nominal 125mm/5 inches and increases in combinations of nominal 100mm/4 in. and 255mm/10 in. increments. Each 4 in. increment is 1.8 Watts (1/2 power) and 3.6 Watts (full power); each 10 in. increment is 4.2 Watts (1/2 power) and 8.4 Watts (full power). Driver dimensions vary according to Wattage capacity and may or may not be remote. **LED Engine: Osram Sylvania HF2 Narrow Stick.**



www.smedmarksinc.com

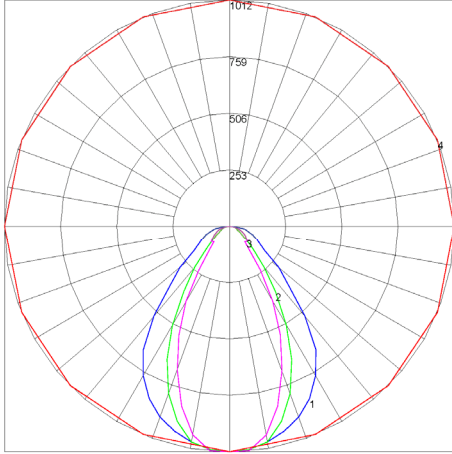
EFFICIENT VERSATILE ADAPTABLE CUSTOMIZABLE

2010 Rektor Wall Down Light Minisize T5/LED



POLAR GRAPH

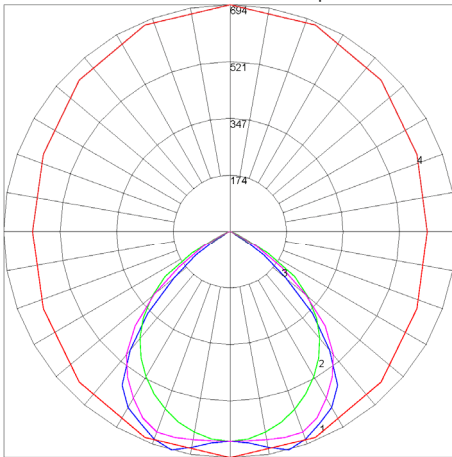
Linear Spread Acrylic Lens with 1 x 28 Watt T5 Lamp



Maximum Candela = 1012 Located At Horizontal Angle = 0, Vertical Angle = 0
1 - Vertical Plane Through Horizontal Angles (0 - 180) (Through Max. Cd.) : BLUE
2 - Vertical Plane Through Horizontal Angles (45 - 225) : GREEN
3 - Vertical Plane Through Horizontal Angles (90 - 270) : MAGENTA
4 - Horizontal Cone Through Vertical Angle (0) (Through Max. Cd.) : RED

POLAR GRAPH

Metal Louver with 1 x 28 Watt T5 Lamp



Maximum Candela = 694 Located At Horizontal Angle = 90, Vertical Angle = 15
1 - Vertical Plane Through Horizontal Angles (90 - 270) (Through Max. Cd.) : BLUE
2 - Vertical Plane Through Horizontal Angles (0 - 180) : GREEN
3 - Vertical Plane Through Horizontal Angles (45 - 225) : MAGENTA
4 - Horizontal Cone Through Vertical Angle (15) (Through Max. Cd.) : RED



EFFICIENT VERSATILE ADAPTABLE CUSTOMIZABLE

REKTOR WALL DOWN LIGHT MINISIZE T5

PRODUCT CODE
2010

ORDER/SPECIFICATION CODE MATRIX

Complete Code = AAAABBCCDDEEFGHIJKLM (20 Digits)

AAAA	BB	CC	DD	EE	F	G	H	I	J	K	L	M
PRODUCT CODE	MOUNTING	LAMP TYPE	LAMP QTY	LAMP WATTS	LAMP COLOR	EXTRUSION COLOR	SHIELDING	ENDCAP	POWER FEED	BALLAST TYPE	EMERGENCY	OTHER
2010	01=Custom 86=Bracket 30mm/1.18 in. 87=Bracket 200mm/8 in. 89=Partition Bracket See Separate Page For Illustrations	02=T5	01=1 02=2 03=3 etc.	01=6 02=8 04=11 05=13 06=14 08=21 09=24 10=28 11=35 13=39 16=54	2=830 3=835 4=841 5=850 6=865 7=Red 8=Green 9=Blue	1=Clear Anodized 2=White 3=Custom	1=Acrylic Lens Linear Spread 3=Metal Louver	1=Custom 7=Gray Aluminum 8= White Aluminum	4=1/8 IP Tube 6=Conduit - Back See Separate Page For Illustrations	1=Non-dimming Univ Volts 2=Dimming ECO 120V 3=Dimming Hi-Lume 120V 4=Dimming ECO 277V 5=Dimming Hi-Lume 277V 6=Dimming Stepped Univ 7=Dimming DALI Univ 8=Dimming 0-10V Univ 9=Dimming Powerline Univ	1=Non-Emergency 2=Standard 120V 3=Standard 277V 4=Self-Diag 120V 5=Self-Diag 277V	0=Standard 1=Ecosystem Type 1 2=Ecosystem Type 2 3=Ecosystem Type 3 See Separate Page For Illustrations

2 0 1 0 0 2

A A A A B B C C D D E E F G H I J K L M



Smedmarks Inc.
190 Muttart Rd.
Neenah, WI 54956-9710 USA
(920) 751-0323
www.smedmarksinc.com

REKTOR WALL DOWN LIGHT MINISIZE LED

PRODUCT CODE
2010

ORDER/SPECIFICATION CODE MATRIX

Complete Code = AAAABBCCDEEEFGHIJKLM (20 Digits)

AAAA	BB	CC	D	EEE	F	G	H	I	J	K	L	M
PRODUCT CODE	MOUNTING	LAMP TYPE	LED ENGINE	NOMINAL LUMINAIRE LENGTH INCHES	LAMP COLOR	EXTRUSION COLOR	SHIELDING	ENDCAP	POWER FEED	DIMMING	EMERGENCY	OTHER
2010	01=Custom 86=Bracket 30mm/1.18 in. 87=Bracket 200mm/8 in. 87=Partition Bracket See Separate Page For Illustrations	10=LED	1=HF2 1/2 Pwr 2=HF2 Full Pwr	005=5 inches 009=9 inches 013=13 inches 015=15 inches 017=17 inches 019=19 inches 021=21 inches etc. Combinations of 4 and 10 in. Plus 1 Inch	1=827 2=830 3=835 4=841	1=Clear Anodized 2=White 3=Custom	1=Acrylic Lens Linear Spread 2=Acrylic Lens Frosted	1=Custom 7=Gray Aluminum 8= White Aluminum	4=1/8 IP Tube 6=Conduit - Back See Separate Page For Illustrations	1=Non-Dimming 8=Dim 0-10V Univ (If Dimming, then Driver and Dimmer Module are Remote)	1=Non-Emergency	0=Standard

2
A
0
A
1
A
0
A
—
B
—
B
1
C
0
C
—
D
—
E
—
E
—
E
—
F
—
G
—
H
—
I
—
J
—
K
1
L
0
M



Smedmarks Inc.
190 Muttart Rd.
Neenah, WI 54956-9710 USA
(920) 751-0323
www.smedmarksinc.com