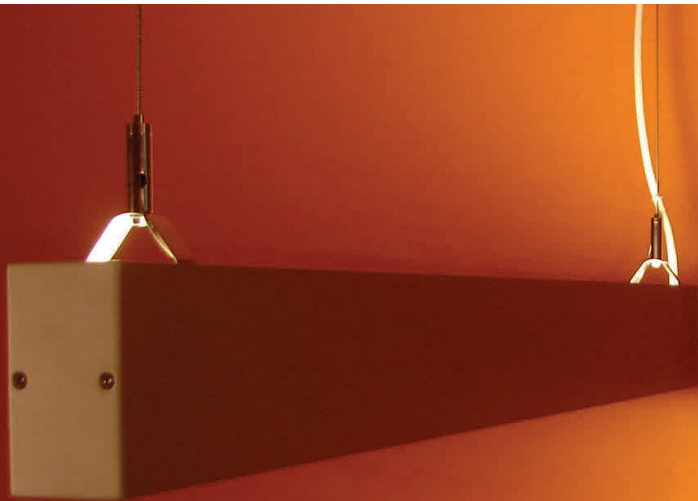


2007 Rektor Pendant Twin Minisize T5/LED



IP 20

Order Code Highlights:

(See attached order code matrix for all options. A complete order code consists of 20 digits.)

MODEL NUMBER (AAAA)
2007

MOUNTING (BB)
Aircraft Cable Suspension with Flat Clip (84)
Aircraft Cable Suspension with "V" Clip (85)

LAMP TYPE (CC)
T5 (02)
LED (10)

EXTRUSION COLOR (G)
Clear Anodized (1)
White (2)
Custom (3)

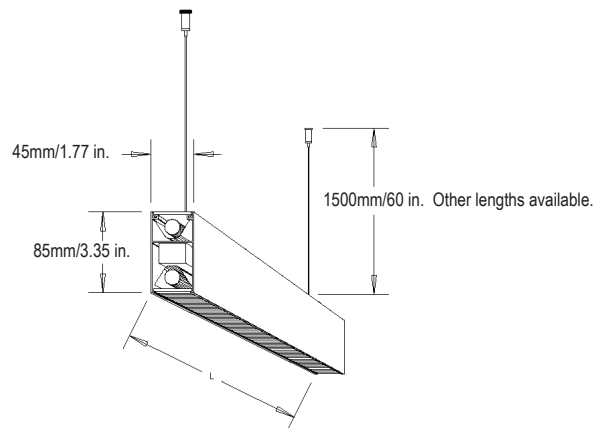
SHIELDING (H)
Acrylic Lens Up/Linear Spread Acrylic Lens Down (8)

POWERFEED (J)
Cord (2)

BALLAST/DRIVER (K)
Non-dimming (1)
Dimming 0-10 Volt Analog (8)

EMERGENCY (L)
Non-emergency (1)
Emergency 120 Volt (2)
Emergency 277 Volt (3)
(Emergency not available for the 14 or 24 Watt models)

OTHER (M)
Seamless Lamp (down light only) (a)



Order Code AAAA BB CC DD EE or EE F G H I J K L M	Length (L)	Lamp
2007 xx 02 02 06 or 09 x x 8 x x x 1 x	605mm/23.82 in.	T5/T5HO 2 x 14 or 24 Watts
2007 xx 02 02 08 or 13 x x 8 x x x x x	905mm/35.63 in.	T5/T5HO 2 x 21 or 39 Watts
2007 xx 02 02 10 or 16 x x 8 x x x x x	1205mm/47.44 in.	T5/T5HO 2 x 28 or 54 Watts
2007 xx 02 02 11 x x 8 x x x x x	1505mm/59.25 in.	T5 35 Watts
2007 xx 02 04 08 or 13 x x 8 x x x x x	1805mm/71.06 in.	T5/T5HO 4 x 21 or 39 Watts
2007 xx 02 04 10 or 16 x x 8 x x x x x	2405mm/94.69 in.	T5/T5HO 4 x 28 or 54 Watts
2007 xx 02 04 11 x x 8 x x x x x	3005mm/118.31 in.	T5 4 x 35 Watts

Other lengths available by request.
Length includes end caps.

LED extrusion length starts at nominal 125mm/5 inches and increases in combinations of nominal 100mm/4 in. and 255mm/10 in. increments. Each 4 in. increment is 1.8 Watts (1/2 power) and 3.6 Watts (full power); each 10 in. increment is 4.2 Watts (1/2 power) and 8.4 Watts (full power). Driver dimensions vary according to Wattage capacity. **LED Engine: Osram Sylvania HF2 Narrow Stick.**



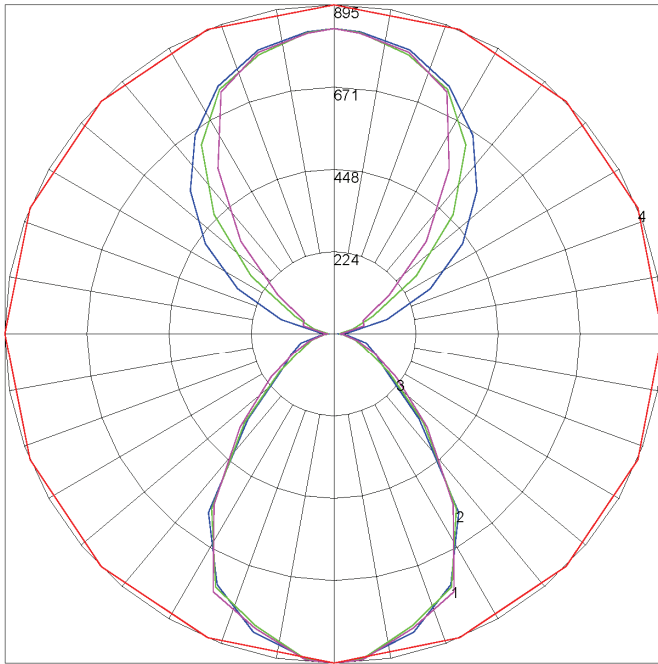
www.smedmarksinc.com

EFFICIENT VERSATILE ADAPTABLE CUSTOMIZABLE

2007 Rektor Pendant Twin Minisize T5/LED



POLAR GRAPH



Maximum Candela = 895 Located At Horizontal Angle = 0, Vertical Angle = 0
1 - Vertical Plane Through Horizontal Angles (0 - 180) (Through Max. Cd.) : BLUE
2 - Vertical Plane Through Horizontal Angles (45 - 225) : GREEN
3 - Vertical Plane Through Horizontal Angles (90 - 270) : MAGENTA
4 - Horizontal Cone Through Vertical Angle (0) (Through Max. Cd.) : RED
Linear Spread Acrylic Lens with 2 x 28 Watt T5 Lamps



EFFICIENT VERSATILE ADAPTABLE CUSTOMIZABLE

REKTOR PENDANT TWIN MINISIZE T5

PRODUCT CODE
2007

ORDER/SPECIFICATION CODE MATRIX

Complete Code = AAAABBCCDDEEFGHIJKLM (20 Digits)

AAAA	BB	CC	DD	EE	F	G	H	I	J	K	L	M
PRODUCT CODE	MOUNTING	LAMP TYPE	LAMP QTY	LAMP WATTS	LAMP COLOR	EXTRUSION COLOR	SHIELDING	ENDCAP	POWER FEED	BALLAST TYPE	EMERGENCY	OTHER
2007	01=Custom 84=A/C Cable with Flat Clip 85=A/C Cable with "V" Clip See Separate Page For Illustrations	02=T5	02=2 04=4 06=6 etc.	01=6 02=8 04=11 05=13 06=14 08=21 09=24 10=28 11=35 13=39 16=54	2=830 3=835 4=841 5=850 6=865 7=Red 8=Green 9=Blue	1=Clear Anodized 2=White 3=Custom	8=Acrylic Lens Up/ Linear Spread Acrylic Lens Down	1=Custom 7=Gray Aluminum 8= White Aluminum	1=Plug 2=Cord See Separate Page For Illustrations	1=Non-dimming Univ Volts 2=Dimming ECO 120V 3=Dimming Hi-Lume 120V 4=Dimming ECO 277V 5=Dimming Hi-Lume 277V 6=Dimming Stepped Univ 7=Dimming DALI Univ 8=Dimming 0-10V Univ 9=Dimming Powerline Univ	1=Non-Emergency 2=Standard 120V 3=Standard 277V 4=Self-Diag 120V 5=Self-Diag 277V	0=Standard 1=Ecosystem Type 1 2=Ecosystem Type 2 3=Ecosystem Type 3 a=Seamless Lamp See Separate Page For Illustrations

2 0 0 7 0 2 8

A A A A B B C C D D E E F G H I J K L M



Smedmarks Inc.
190 Muttart Rd.
Neenah, WI 54956-9710 USA
(920) 751-0323
www.smedmarksinc.com

ORDER/SPECIFICATION CODE MATRIX

Complete Code = AAAABBCDEEEFGHIJKLM (20 Digits)

AAAA	BB	CC	D	EEE	F	G	H	I	J	K	L	M
PRODUCT CODE	MOUNTING	LAMP TYPE	LED ENGINE	NOMINAL LUMINAIRE LENGTH INCHES	LAMP COLOR	EXTRUSION COLOR	SHIELDING	ENDCAP	POWER FEED	DIMMING	EMERGENCY	OTHER
2007	01=Custom 84=A/C Cable with Flat Clip 85=A/C Cable with "V" Clip See Separate Page For Illustrations	10=LED	1=HF2 1/2 Pwr 2=HF2 Full Pwr	005=5 inches 009=9 inches 013=13 inches 015=15 inches 017=17 inches 019=19 inches 021=21 inches etc. Combinations of 4 and 10 in. Plus 1 Inch	1=827 2=830 3=835 4=841	1=Clear Anodized 2=White 3=Custom	8=Acrylic Lens Up/ Linear Spread Acrylic Lens Down	1=Custom 7=Gray Aluminum 8= White Aluminum	1=Plug 2=Cord See Separate Page For Illustrations	1=Non-Dimming 8=Dim 0-10V Univ (If Dimming, then Driver and Dimmer Module are Remote)	1=Non-Emergency	0=Standard

2 0 0 7 1 0 8 1 0
 A A A A B B C C D E E E F G H I J K L M

