

## IP 20

### Order Code Highlights:

(See attached order code matrix for all options. A complete order code consists of 20 digits.)

MODEL NUMBER (AAAA)  
2006

MOUNTING (BB)  
Aircraft Cable Suspension with Flat Clip (84)  
Aircraft Cable Suspension with "V" Clip (85)

LAMP TYPE (CC)  
T5 (02)  
LED (10)

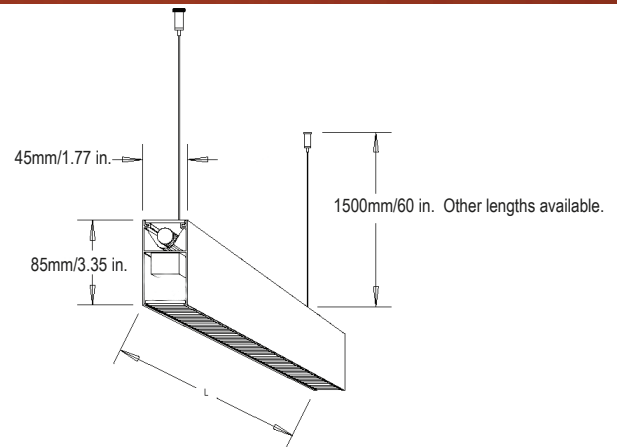
EXTRUSION COLOR (G)  
Clear Anodized (1)  
White (2)  
Custom (3)

SHIELDING (H)  
Frosted Acrylic Lens (2)  
Clear Acrylic Lens (9)

POWERFEED (J)  
Cord (2)

BALLAST/DRIVER (K)  
Non-dimming (1)  
Dimming 0-10 Volt Analog (8)

EMERGENCY (L)  
Non-emergency (1)  
Emergency 120 Volt (2)  
Emergency 277 Volt (3)  
(Emergency not available for the 14 or 24 Watt models)



Order Code AAAA BB CC DD EE or EE F G H I J K L M	Length (L)	Lamp
2006 xx 02 01 06 or 09 x x x x x x 1 x	605mm/23.82 in.	T5/T5HO 14 or 24 Watts
2006 xx 02 01 08 or 13 x x x x x x x x	905mm/35.63 in.	T5/T5HO 21 or 39 Watts
2006 xx 02 01 10 or 16 x x x x x x x x	1205mm/47.44 in.	T5/T5HO 28 or 54 Watts
2006 xx 02 01 11 x x x x x x x x	1505mm/59.25 in.	T5 35 Watts
2006 xx 02 02 08 or 13 x x x x x x x x	1805mm/71.06 in.	T5/T5HO 2 x 21 or 39 Watts
2006 xx 02 02 10 or 16 x x x x x x x x	2405mm/94.69 in.	T5/T5HO 2 x 28 or 54 Watts
2006 xx 02 02 11 x x x x x x x x	3005mm/118.31 in.	T5 2 x 35 Watts

Other lengths available by request.  
Length includes end caps.

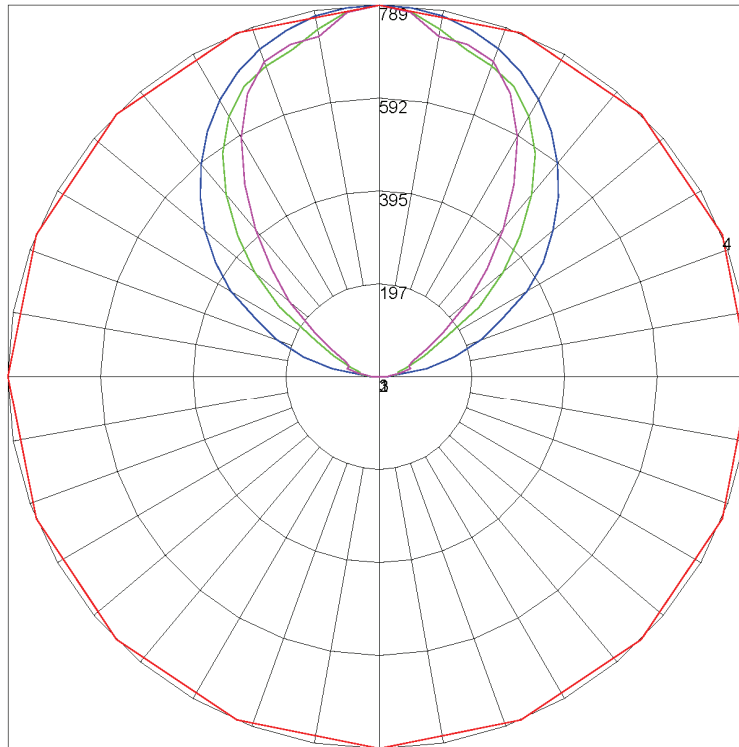
LED extrusion length starts at nominal 125mm/5 inches and increases in combinations of nominal 100mm/4 in. and 255mm/10 in. increments. Each 4 in. increment is 1.8 Watts (1/2 power) and 3.6 Watts (full power); each 10 in. increment is 4.2 Watts (1/2 power) and 8.4 Watts (full power). Driver dimensions vary according to Wattage capacity. **LED Engine: Osram Sylvania HF2 Narrow Stick.**



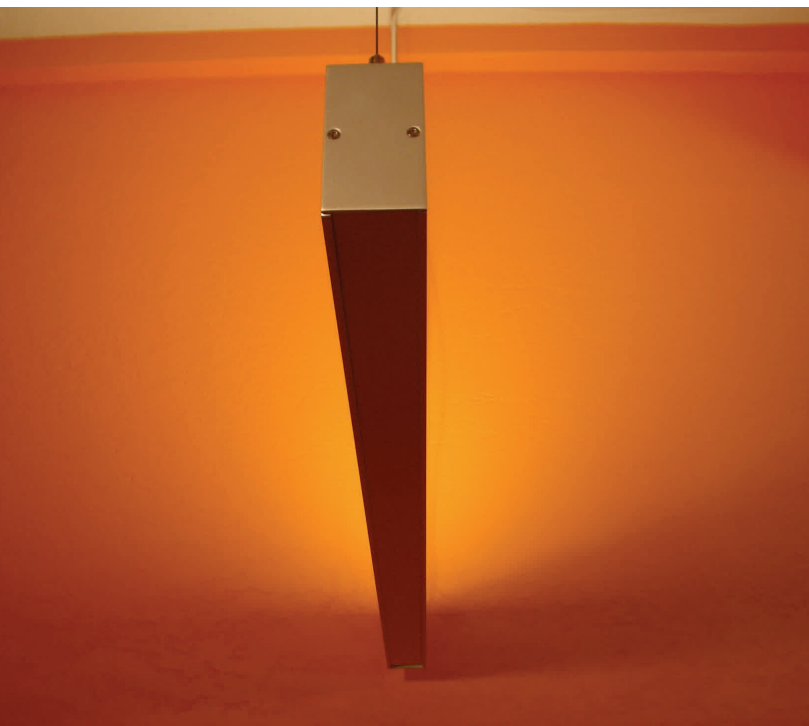
[www.smedmarksinc.com](http://www.smedmarksinc.com)

**EFFICIENT VERSATILE ADAPTABLE CUSTOMIZABLE**

## POLAR GRAPH



Maximum Candela = 789 Located At Horizontal Angle = 0, Vertical Angle = 180  
# 1 - Vertical Plane Through Horizontal Angles (0 - 180) (Through Max. Cd.) : BLUE  
# 2 - Vertical Plane Through Horizontal Angles (45 - 225) : GREEN  
# 3 - Vertical Plane Through Horizontal Angles (90 - 270) : MAGENTA  
# 4 - Horizontal Cone Through Vertical Angle (180) (Through Max. Cd.) : RED  
Acrylic Lens Clear with 1x28 Watt T5 Lamp



**EFFICIENT    VERSATILE    ADAPTABLE    CUSTOMIZABLE**

# REKTOR PENDANT UP LIGHT MINISIZE T5

PRODUCT CODE  
2006

## ORDER/SPECIFICATION CODE MATRIX

Complete Code = AAAABBCCDDEEFGHIJKLM (20 Digits)

AAAA	BB	CC	DD	EE	F	G	H	I	J	K	L	M
PRODUCT CODE	MOUNTING	LAMP TYPE	LAMP QTY	LAMP WATTS	LAMP COLOR	EXTRUSION COLOR	SHIELDING	ENDCAP	POWER FEED	BALLAST TYPE	EMERGENCY	OTHER
2006	01=Custom 84=A/C Cable with Flat Clip 85=A/C Cable with "V" Clip  <b>See Separate Page For Illustrations</b>	02=T5	01=1 02=2 03=3 etc.	01=6 02=8 04=11 05=13 06=14 08=21 09=24 10=28 11=35 13=39 16=54	2=830 3=835 4=841 5=850 6=865 7=Red 8=Green 9=Blue	1=Clear Anodized 2=White 3=Custom	2=Acrylic Lens Frosted 9=Acrylic Lens Clear	1=Custom 7=Gray Aluminum 8= White Aluminum	1=Plug 2=Cord  <b>See Separate Page For Illustrations</b>	1=Non-dimming Univ Volts 2=Dimming ECO 120V 3=Dimming Hi-Lume 120V 4=Dimming ECO 277V 5=Dimming Hi-Lume 277V 6=Dimming Stepped Univ 7=Dimming DALI Univ 8=Dimming 0-10V Univ 9=Dimming Powerline Univ	1=Non-Emergency 2=Standard 120V 3=Standard 277V 4=Self-Diag 120V 5=Self-Diag 277V	0=Standard 1=Ecosystem Type 1 2=Ecosystem Type 2 3=Ecosystem Type 3  <b>See Separate Page For Illustrations</b>

2 0 0 6     0 2                      

A A A A B B C C D D E E F G H I J K L M



Smedmarks Inc.  
190 Muttart Rd.  
Neenah, WI 54956-9710 USA  
(920) 751-0323  
www.smedmarksinc.com

# REKTOR PENDANT UP LIGHT MINISIZE LED

PRODUCT CODE  
2006

## ORDER/SPECIFICATION CODE MATRIX

Complete Code = AAAABBCDEEEFGHIJKLM (20 Digits)

AAAA	BB	CC	D	EEE	F	G	H	I	J	K	L	M
<u>PRODUCT CODE</u>	<u>MOUNTING</u>	<u>LAMP TYPE</u>	<u>LED ENGINE</u>	<u>NOMINAL LUMINAIRE LENGTH INCHES</u>	<u>LAMP COLOR</u>	<u>EXTRUSION COLOR</u>	<u>SHIELDING</u>	<u>ENDCAP</u>	<u>POWER FEED</u>	<u>DIMMING</u>	<u>EMERGENCY</u>	<u>OTHER</u>
2006	01=Custom 84=A/C Cable with Flat Clip 85=A/C Cable with "V" Clip  See Separate Page For Illustrations	10=LED	1=HF2 1/2 Pwr  2=HF2 Full Pwr	005=5 inches 009=9 inches 013=13 inches 015=15 inches 017=17 inches 019=19 inches 021=21 inches etc. Combinations of 4 and 10 in. Plus 1 Inch	1=827 2=830 3=835 4=841	1=Clear Anodized 2=White 3=Custom	2=Acrylic Lens Frosted 9=Acrylic Lens Clear	1=Custom 7=Gray Aluminum 8= White Aluminum	1=Plug 2=Cord  See Separate Page For Illustrations	1=Non-Dimming 8=Dim 0-10V Univ (If Dimming, then Driver and Dimmer Module are Remote)	1=Non-Emergency	0=Standard

2  
A
0  
A
0  
A
6  
A
   
B
   
B
1  
C
0  
C
   
D
   
E
   
E
   
E
   
F
   
G
   
H
   
I
   
J
   
K
1  
L
0  
M



Smedmarks Inc.  
190 Muttart Rd.  
Neenah, WI 54956-9710 USA  
(920) 751-0323  
www.smedmarksinc.com