

1940 CLIC Gemini Curved Glass Minisize T5



IP 20

Order Code Highlights:

(See attached order code matrix for all options. A complete order code consists of 20 digits.)

MODEL NUMBER (AAAA)
1940

MOUNTING (BB)
Standard (00)

LAMP TYPE (CC)
T5 (02)

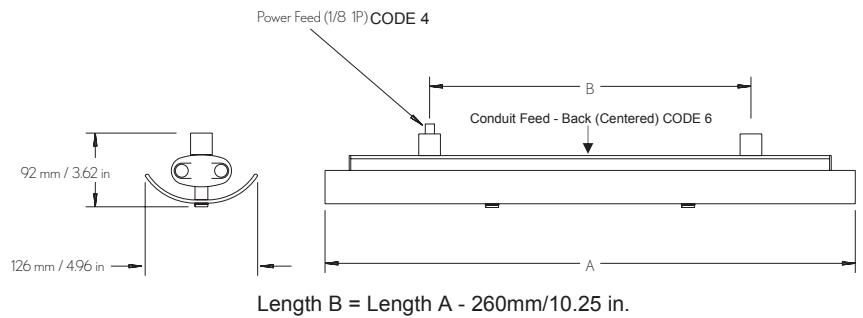
EXTRUSION COLOR (G)
Clear Anodized (1)
White (2)

SHIELDING (H)
Linear Spread Acrylic Lens (1)

POWERFEED (J)
1/8 IP Tube (4)
Conduit Feed - Back (6)

BALLAST/DRIVER (K)
Non-dimming (1)
Dimming 0-10 Volt Analog (8)

EMERGENCY (L)
Non-emergency (1)



Order Code AAAA BB CC DD EE or EE F G H I J K L M	Length (A)	Lamp
1940 00 02 02 06 or 09 x x 1 x 4 x 1 x	660mm/25.98 in.	T5/T5HO 14 or 24 Watts
1940 00 02 02 08 or 13 x x 1 x 4 x 1 x	960mm/37.80 in.	T5/T5HO 21 or 39 Watts
1940 00 02 02 10 or 16 x x 1 x 4 x 1 x	1260mm/49.61 in.	T5/T5HO 28 or 54 Watts
1940 00 02 04 08 or 13 x x 1 x 4 x 1 x	1920mm/75.59 in.	T5/T5HO 2 x 21 or 39 Watts
1940 00 02 04 10 or 16 x x 1 x 4 x 1 x	2520mm/99.21 in.	T5/T5HO 2 x 28 or 54 Watts

Other lengths available by request.



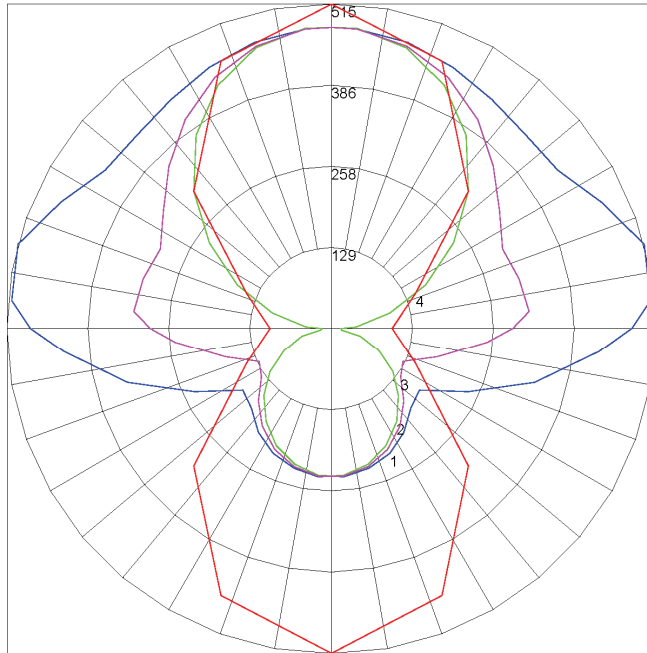
www.smedmarksinc.com

EFFICIENT VERSATILE ADAPTABLE CUSTOMIZABLE

1940 CLIC Gemini Curved Glass Minisize T5



POLAR GRAPH



Maximum Candela = 515 Located At Horizontal Angle = 90, Vertical Angle = 105
1 - Vertical Plane Through Horizontal Angles (90 - 270) (Through Max. Cd.) : BLUE
2 - Vertical Plane Through Horizontal Angles (0 - 180) : GREEN
3 - Vertical Plane Through Horizontal Angles (45 - 225) : MAGENTA
4 - Horizontal Cone Through Vertical Angle (105) (Through Max. Cd.) : RED

Acrylic Lens 2x28 Watt T5 with Curved Glass



EFFICIENT VERSATILE ADAPTABLE CUSTOMIZABLE

ORDER/SPECIFICATION CODE MATRIX

Complete Code = AAAABBCCDDEEFGHIJKLM (20 Digits)

AAAA	BB	CC	DD	EE	F	G	H	I	J	K	L	M
PRODUCT CODE	MOUNTING	LAMP TYPE	LAMP QTY	LAMP WATTS	LAMP COLOR	EXTRUSION COLOR	SHIELDING	ENDCAP	POWER FEED	BALLAST TYPE	EMERGENCY	OTHER
1940	00=Standard 01=Custom See Separate Page For Illustrations	02=T5	02=2 04=4 06=6 etc.	01=6 02=8 04=11 05=13 06=14 08=21 09=24 10=28 11=35 13=39 16=54	2=830 3=835 4=841 5=850 6=865 7=Red 8=Green 9=Blue	1=Clear Anodized 2=White 3=Custom	1=Acrylic Lens Linear Spread	1=Custom 4=White Opaque 6=Gray Plastic 7=Gray Aluminum 8= White Aluminum	4=1/8IP Tube 6=Conduit - Back See Separate Page For Illustrations	1=Non-dimming Univ Volts 2=Dimming ECO 120V 3=Dimming Hi-Lume 120V 4=Dimming ECO 277V 5=Dimming Hi-Lume 277V 6=Dimming Stepped Univ 7=Dimming DALI Univ 8=Dimming 0-10V Univ 9=Dimming Powerline Univ	1=Non-Emergency	0=Standard 1=Ecosystem Type 1 2=Ecosystem Type 2 3=Ecosystem Type 3 See Separate Page For Illustrations

1 9 4 0 0 2 1 1

A A A A B B C C D D E E F G H I J K L M

