

1000 Stick Microsize T2/LED



IP 20

Order Code Highlights:

(See attached order code matrix for all options. A complete order code consists of 20 digits.)

MODEL NUMBER (AAAA)
1000

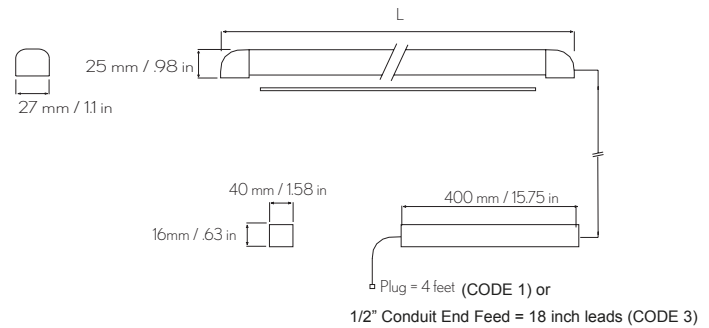
MOUNTING (BB)
Standard Aimable Polycarbonate Brackets (00)

LAMP TYPE (CC)
T2 (01)
LED (10)

EXTRUSION COLOR (G)
Clear Anodized (1)
White (2)
Custom (3)

POWERFEED (J)
Cord and Plug (1)
Conduit Configuration A - Ballast Box End Feed (3)

BALLAST/DRIVER (K)
Non-dimming (1)
Dimming 0-10 Volt Analog (LED only) (8)



Lamp lead cable length (between luminaire and ballast box) = 460 mm/18 inches

Order Code AAAA BB CC DD EE F G H I J K L M	Length (L)	Lamp
1000 00 01 01 02 x x 0 0 x 1 1 0	460mm/18.11 in.	T2 8 Watts
1000 00 01 01 04 x x 0 0 x 1 1 0	560mm/22.05 in.	T2 11 Watts
1000 00 01 01 05 x x 0 0 x 1 1 0	660mm/25.99 in.	T2 13 Watts

Other lengths available by request.

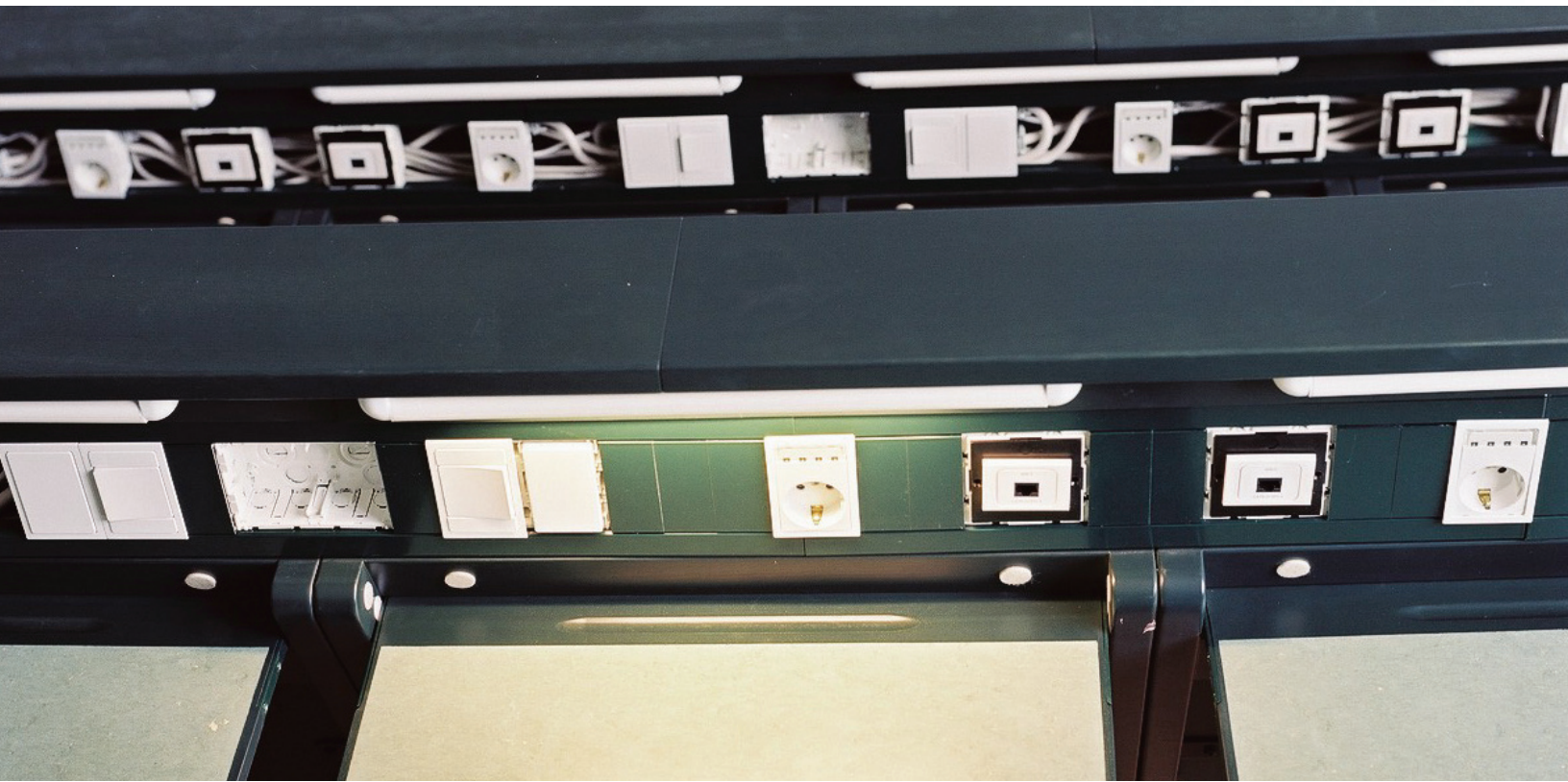
LED extrusion length starts at nominal 100mm/4 in. (plus 50mm/2 in. for mounting brackets) and increases in 55mm/2.25 in. increments. Each increment is 1/4 Watt, or 4 Watts per 18 inches. Driver dimensions vary by wattage capacity.
LED engine: Osram Sylvania LINEARlight series.



www.smedmarksinc.com

EFFICIENT VERSATILE ADAPTABLE CUSTOMIZABLE

1000 Stick Microsize T2/LED



www.smedmarksinc.com

EFFICIENT VERSATILE ADAPTABLE CUSTOMIZABLE

ORDER/SPECIFICATION CODE MATRIX

Complete Code = AAAABBCCDDEEFGHIJKLM (20 Digits)

AAAA	BB	CC	DD	EE	F	G	H	I	J	K	L	M
PRODUCT CODE	MOUNTING	LAMP TYPE	LAMP QTY	LAMP WATTS	LAMP COLOR	EXTRUSION COLOR	SHIELDING	ENDCAP	WIRING	DIMMING	EMERGENCY	OTHER
1000	00=Standard	01=T2	01=1	01=6 02=8 04=11 05=13	2=830 3=835 4=841	1=Clear Anodized 2=White 3=Custom	0=None 9=Acrylic Lens Clear	0=Standard	1=Cord w/ Plug 3=Conduit-End	1=Non-Dimming (120V Only)	1=Non-Emergency	0=Standard
									See separate sheet for illustrations			

$\frac{1}{A}$ $\frac{0}{A}$ $\frac{0}{A}$ $\frac{0}{A}$ $\frac{0}{B}$ $\frac{0}{B}$ $\frac{0}{C}$ $\frac{1}{C}$ $\frac{0}{D}$ $\frac{1}{D}$ $\frac{_}{E}$ $\frac{_}{E}$ $\frac{_}{F}$ $\frac{_}{G}$ $\frac{_}{H}$ $\frac{0}{I}$ $\frac{_}{J}$ $\frac{1}{K}$ $\frac{1}{L}$ $\frac{0}{M}$



ORDER/SPECIFICATION CODE MATRIX

Complete Code = AAAABBCCDDEEFGHIJKLM (20 Digits Total)

AAAA	BB	CC	D	EEE	F	G	H	I	J	K	L	M
PRODUCT CODE	MOUNTING	LAMP TYPE	LED ENGINE	EXTRUSION LENGTH INCHES	LAMP COLOR	EXTRUSION COLOR	SHIELDING	ENDCAP	WIRING	DIMMING	EMERGENCY	OTHER
1000	00=Standard	10=LED	3=LINEAR-light Series	004=4 inches 007=6.25 in. 009=8.5 in. 011=10.75 in. 013=13 in. etc. Round UP to nearest whole inch	2=830 3=835 4=841	1=Clear Anodized 2=White 3=Custom	0=None 9=Acrylic Lens Clear	0=Standard	1=Cord w/ Plug 3=Conduit-End	1=Non-Dimming 8=Dimming 0-10V	1=Non-Emergency	0=Standard

See separate sheet for illustrations

$\frac{1}{A}$ $\frac{0}{A}$ $\frac{0}{A}$ $\frac{0}{A}$ $\frac{0}{B}$ $\frac{0}{B}$ $\frac{1}{C}$ $\frac{0}{C}$ $\frac{3}{D}$ $\frac{0}{E}$ $\frac{0}{E}$ $\frac{0}{E}$ $\frac{0}{F}$ $\frac{0}{G}$ $\frac{0}{H}$ $\frac{0}{I}$ $\frac{0}{J}$ $\frac{1}{K}$ $\frac{0}{M}$

